

Ground Resistance Test Set

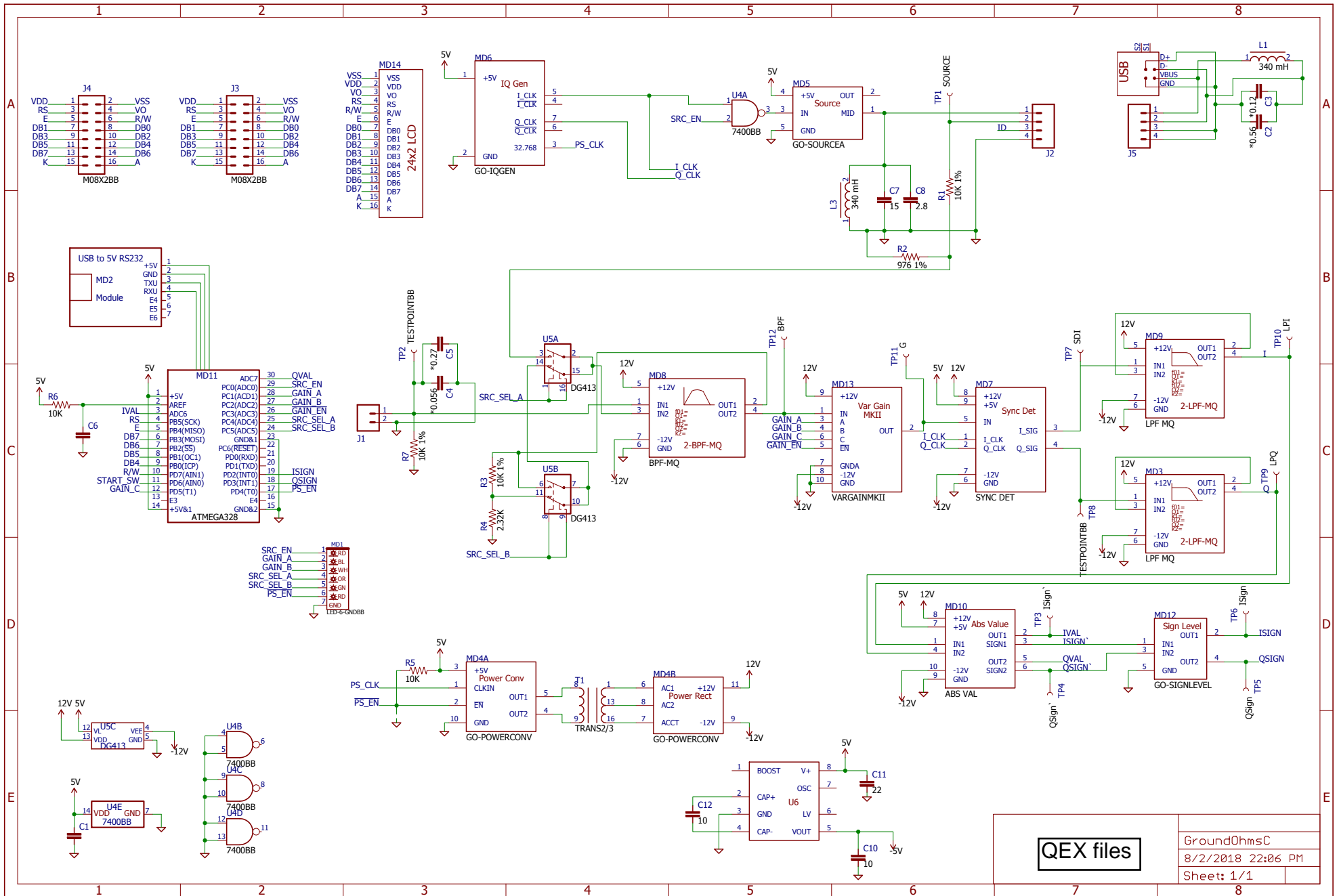
— QEX Files —

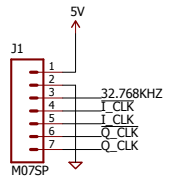
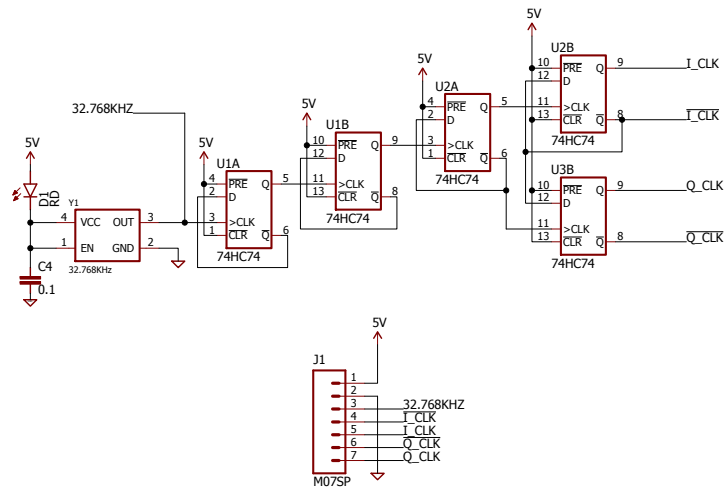
Jim Satterwhite, K4HJU,
50 Woodcreek Dr., Wimberley, TX 78676; k4hju@arrl.net

Schematic Diagrams for “**Ground Ohms Test Set**” QEX article

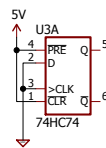
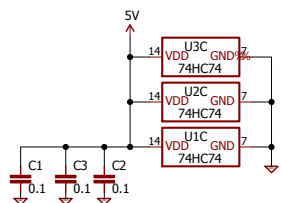
- Main Schematic

- 1 — I-Q generator module
- 2 — Signal source module
- 3 — Band pass filter module
- 4 — Variable gain module
- 5 — Synchronous detector module
- 6 — Low pass filter module
- 7 — Absolute value module
- 8 — Power supply module



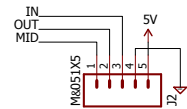
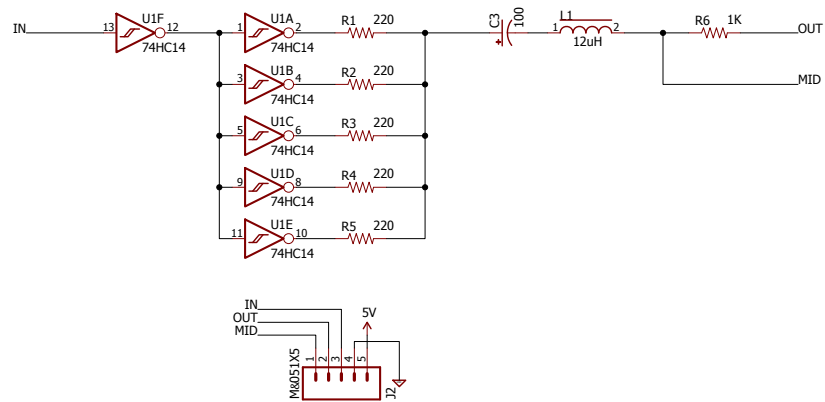


I=Q Generator

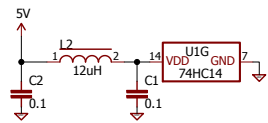


TELI 161107
Rev 1

IQGen_R1	
not saved!	
Sheet: 1/1	

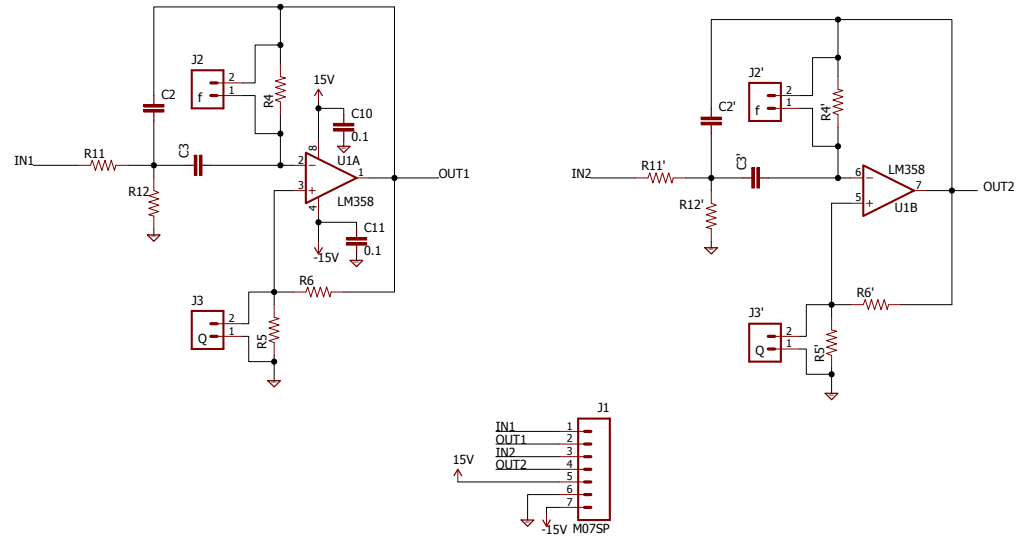


SIGNAL SOURCE MODULE



TELI 160811
Rev 1

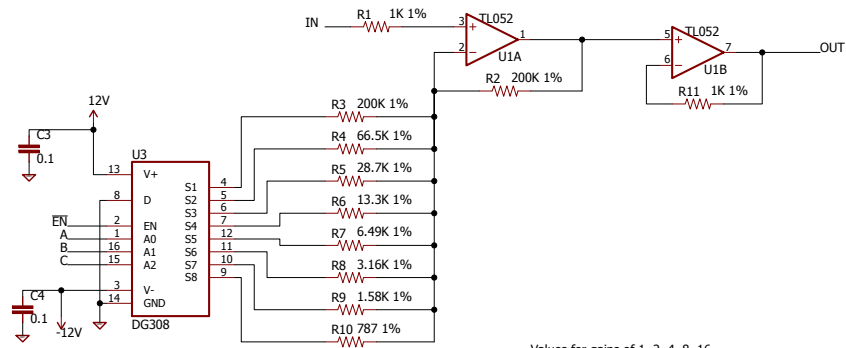
Source_1
not saved!
Sheet: 1/1



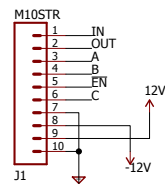
BAND PASS FILTER MODULE

TELI 160524C
Rev 4.0

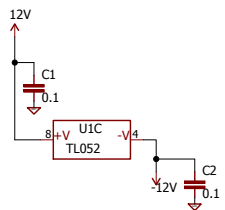
FilterBandpassMQ_A-R4
8/6/2018 10:57 AM
Sheet: 1/1



Values for gains of 1, 2, 4, 8, 16,
32, 64, 128, 256

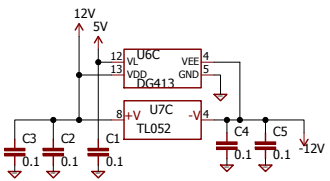
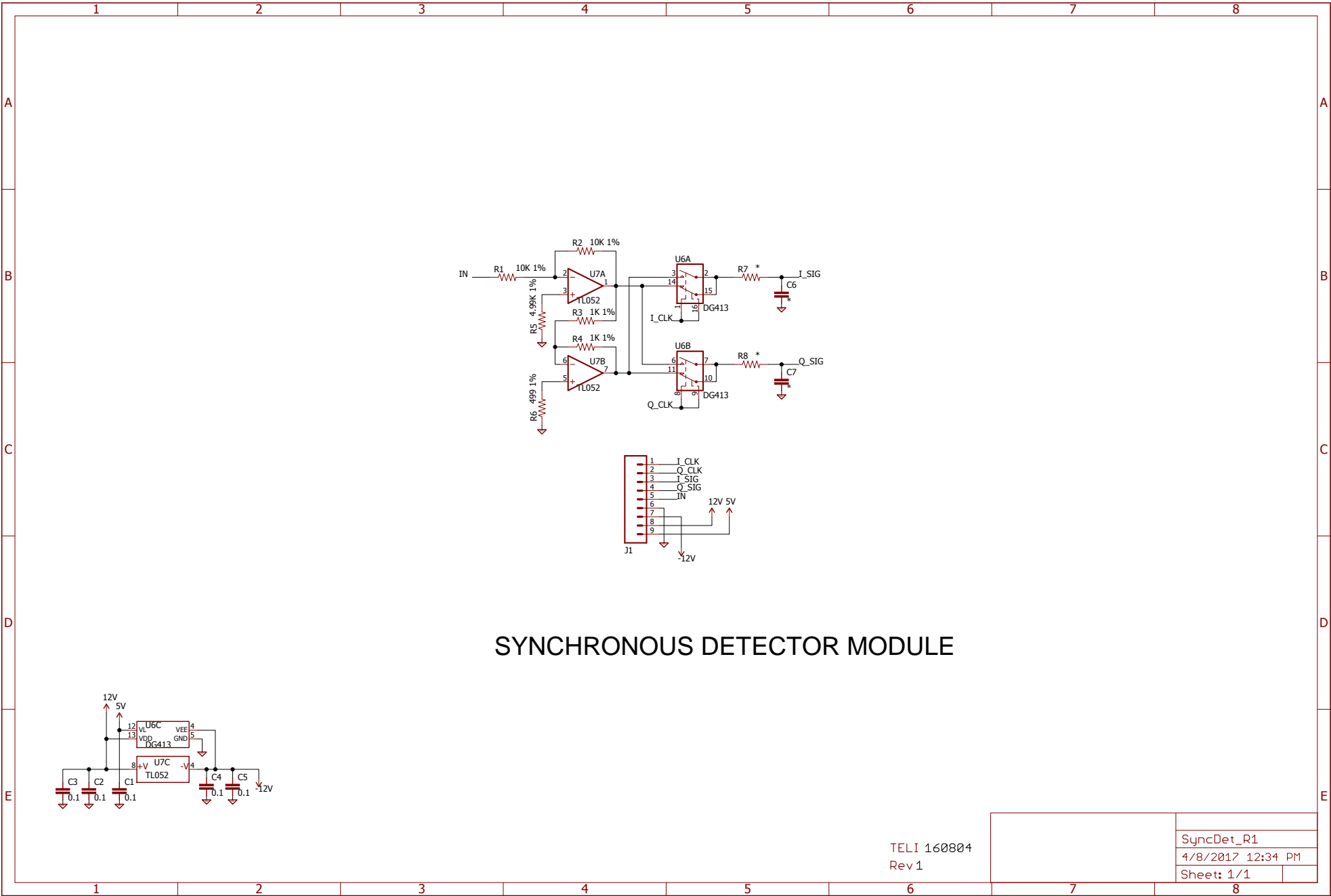


VARIABLE GAIN MODULE



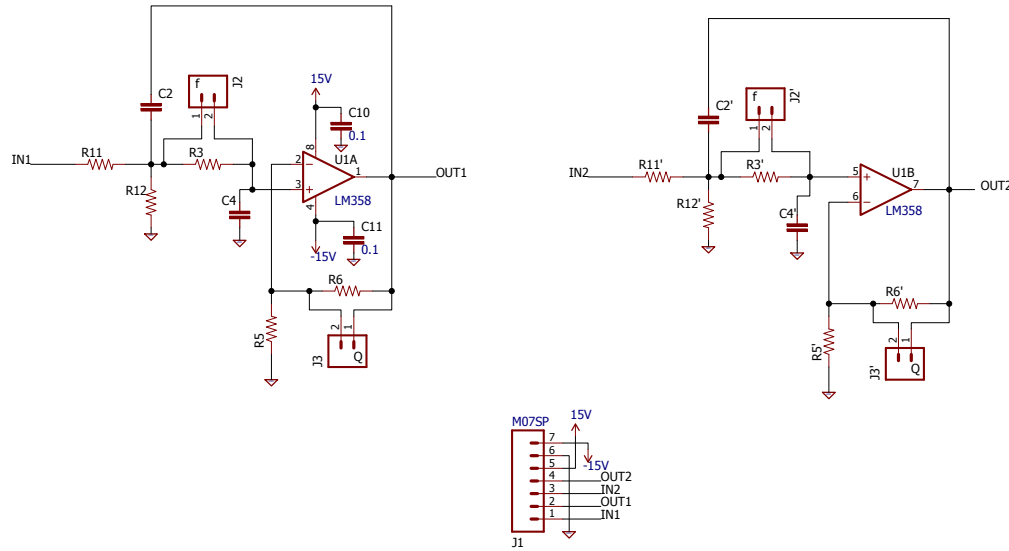
TELI 170408
Rev 0.0

VarGain_MKIII_0
4/8/2017 14:13 PM
Sheet: 1/1



TELI 160804
Rev 1

SyncDet_R1
4/8/2017 12:34 PM
Sheet: 1/1

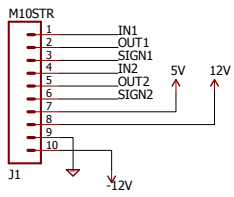
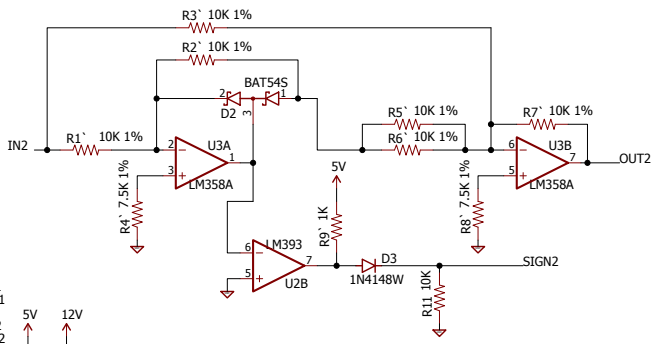
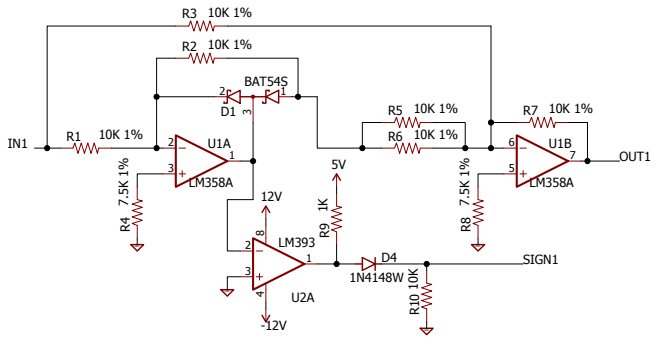


LPF-MQ

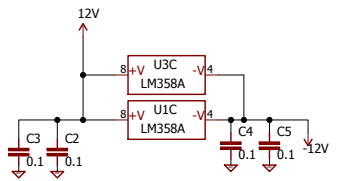
LOW PASS FILTER MODULE

TELI 160524A
Rev 1

FilterLowpassMQ_R1
8/6/2018 10:58 AM
Sheet: 1/1

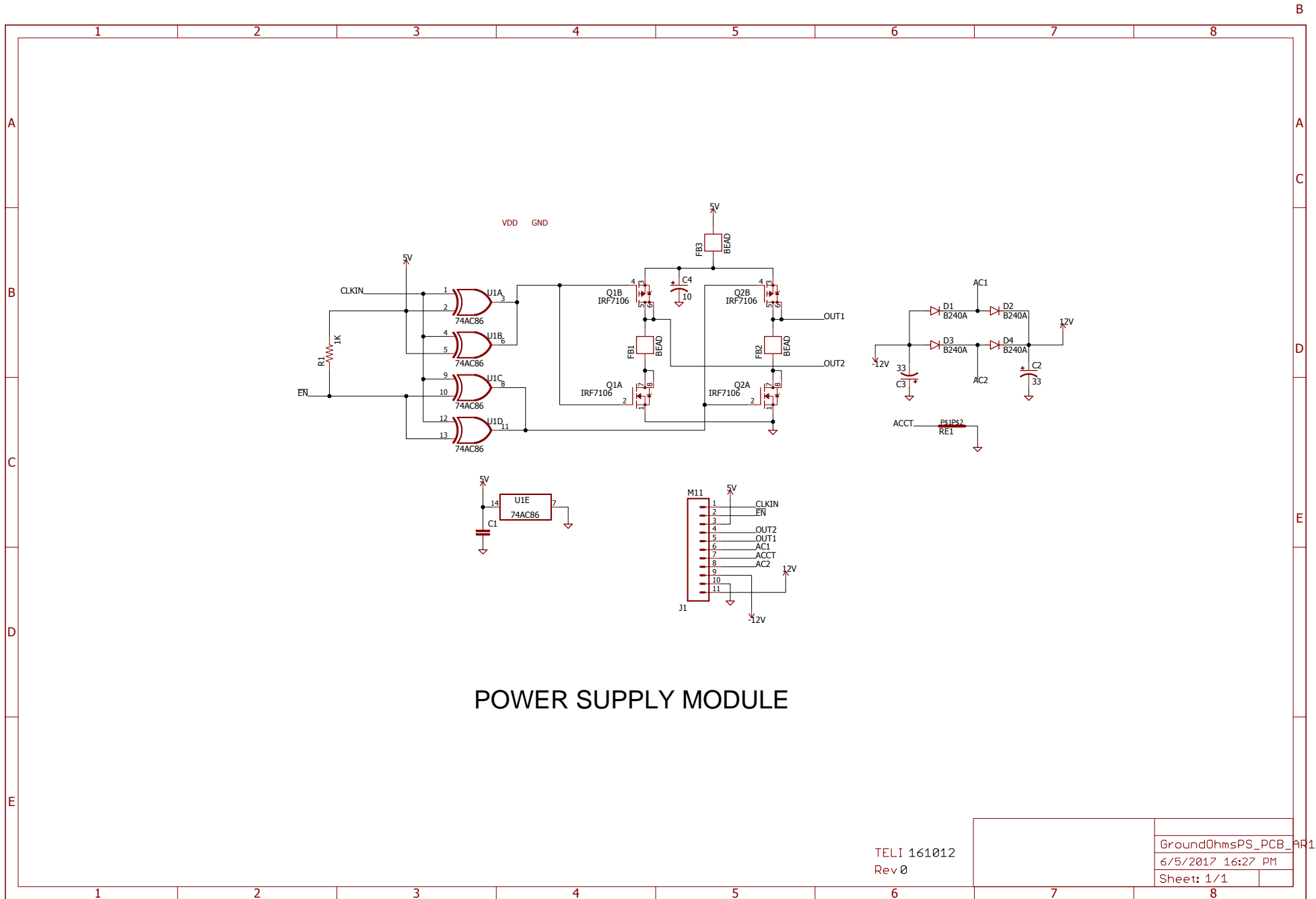


Absolute Value Module



TELI 161104
Rev 1

AbsVal_R1	
8/6/2018 10:49 AM	
Sheet: 1/1	



POWER SUPPLY MODULE

TELI 161012
Rev 0

GroundOhmsPS_PCB_AR1
6/5/2017 16:27 PM
Sheet: 1/1